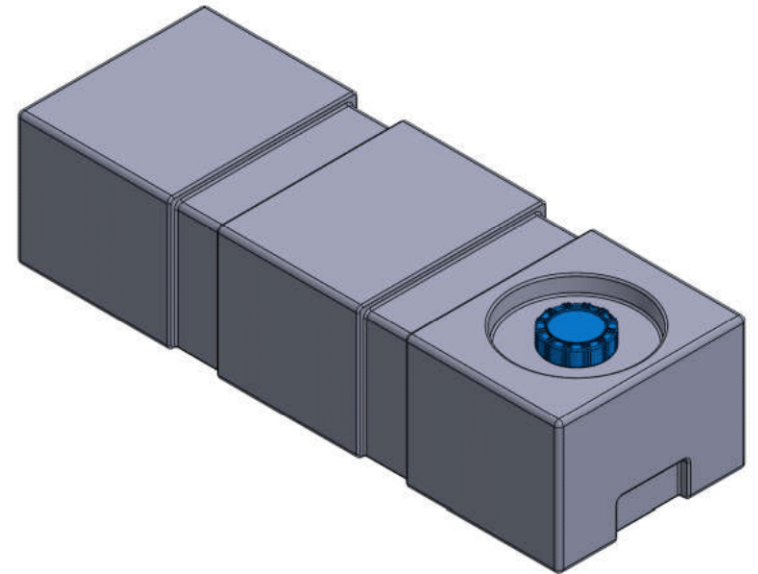
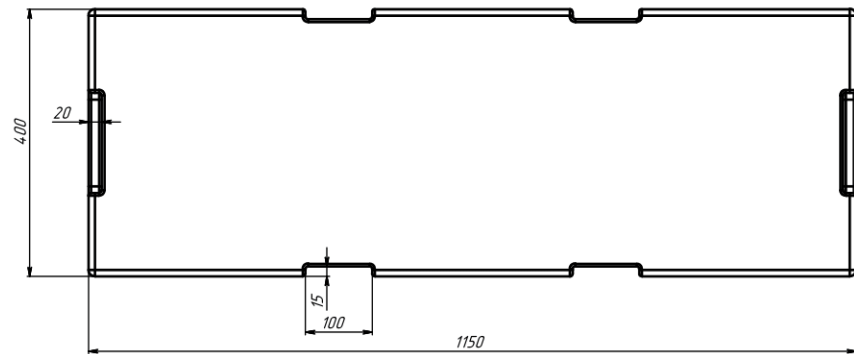
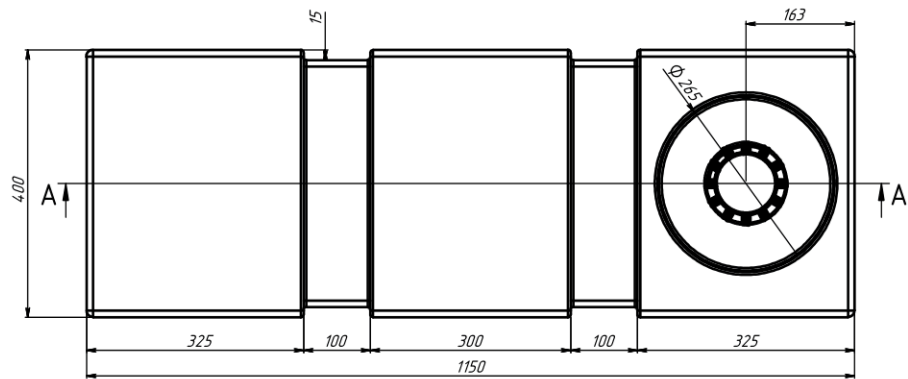
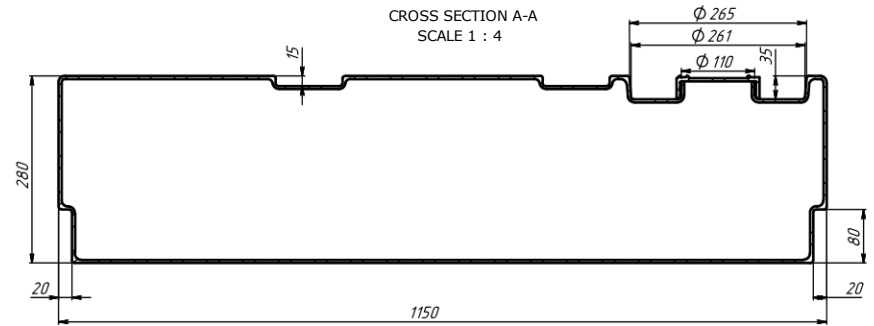


CROSS SECTION A-A
SCALE 1 : 4



| | | | |
|-------------------|---|--------------|-----|
| УХП.24.09.P120.01 | | | |
| Tank P-120 | - | Scale | 1:7 |
| Polyethylene LDPE | | Укрхимпласт® | |